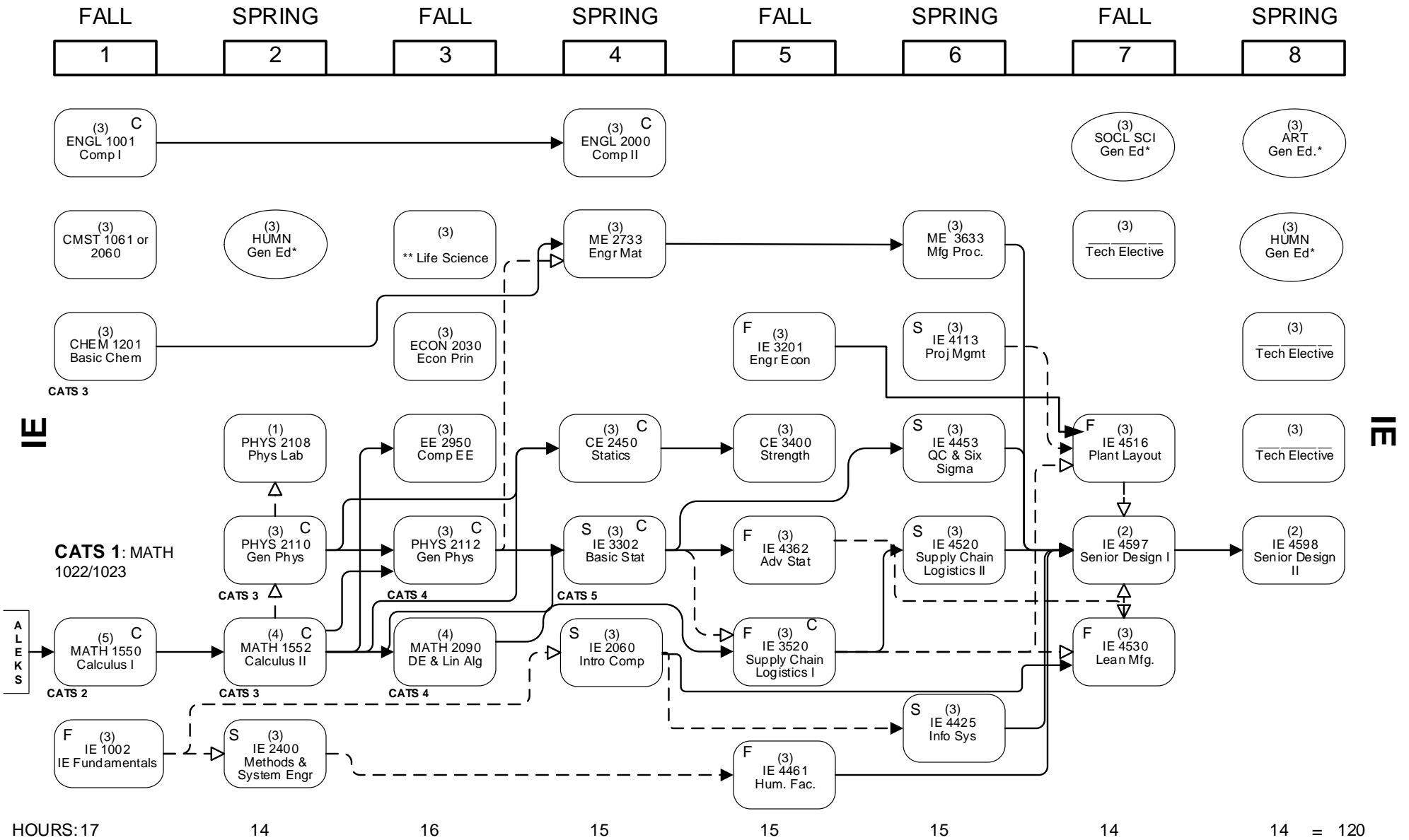


INDUSTRIAL ENGINEERING



FLOWCHART LEGEND		Office: 3261C Patrick F Taylor Hall http://www.lsu.edu/eng/mie/
	Credit required	F Course taught in fall only S Course taught in spring only CATS # Critical Semester Requirements * IE students must also meet the GLOBAL KNOWLEDGE requirement. See the requirements sheet at http://www.lsu.edu/eng/mie/ . Rev. 2/28/2019
	Credit or registration required	
C	Grade of "C" or better required BEFORE moving on to one or more following courses	IE Electives must be from approved electives list, available in the IE office or on the IE website http://www.lsu.edu/eng/mie/ **IE4597/4598 may only be taken in the last two graduating semesters. Up to two of the four pre-requisites for IE4597 (IE 4425, 4453, 4461, & 4520) may be taken as co-requisites with IE4597. ** Approved Natural Science – BIOL 1001/1201, BIOL 1011, ENVS 1126, HORT 2050, AGRI 1005, AGRO 1001, HNRS 1007, HNRS 1035, OCS 2050, RNR 1001, or WGS 1001.
Gen Ed	General Education - See 2018-2019 General Catalog	